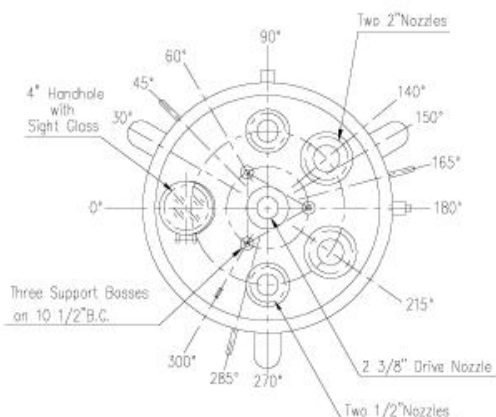


# RTJ-20-20 and RTJ-20-30



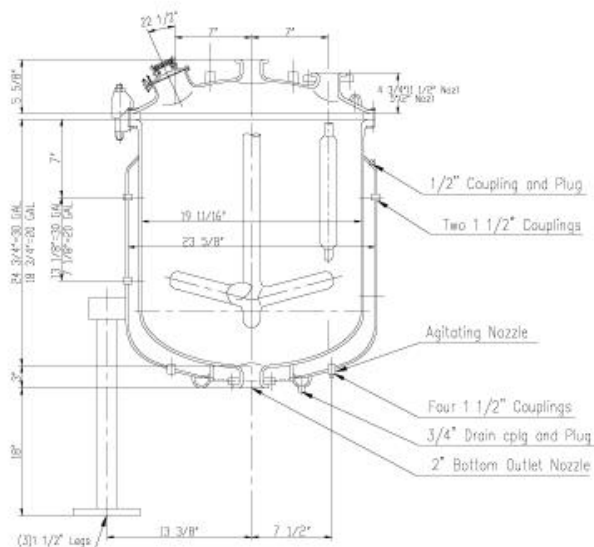
PLAN VIEW TOP



SPECIFICATIONS

MODEL	RTJ-20-20	RTJ-20-30
Working Capacity,Gals	20	30
Gross Capacity,Gals	23	33
Jacket Capacity,Gals	8	12
Heating Area,Sq.Ft.	8	10.5
Weight,Lbs.		
Vessel Only	600	650
With Drive & Agitation	1100	1150
Design Rating		
Internal Jacket	25 TO 150 PSIG/FV @ -20°F/450°F	
Jacket	125/125 PSIG @ -20°F/450°F	

ELEVATION



- Constructed to ASME Code Section VIII, Division 1
- Fusion 900 Glass Lining
- Mechanical Seal: Single or Double with optional dry running capabilities
- Agitator: Standard Retreat Curve Impeller
- Baffle with optional Temperature Sensor
- Standard 150lb ANSI Nozzles with Split Flanges
- Jacket Connections 3000lb Couplings
- Footings: Standard Removable screw-in legs with optional side supports
- TEFLON Envelope Gaskets, CRT
- Custom Designs upon request
- Interchangeable with RT-20/30 and CTJ-20/30 Reactors