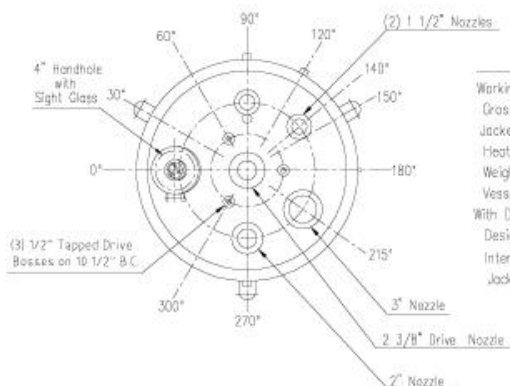


RTJ-24-50

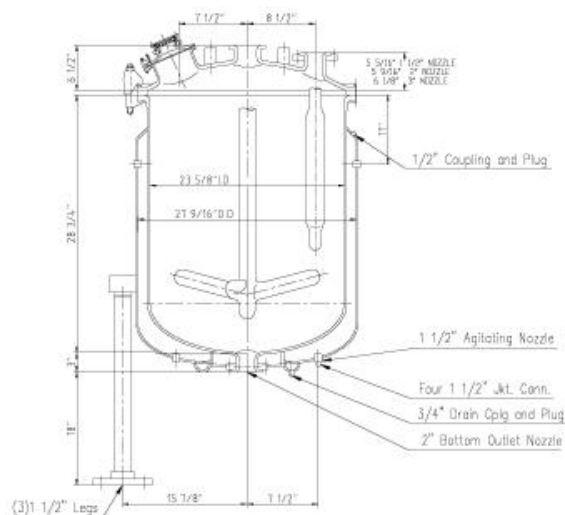
PLAN VIEW TOP



SPECIFICATIONS

MODEL	RTJ-24-50
Working Capacity,Gals	50
Gross Capacity,Gals	58
Jacket Capacity,Gals	15.8
Heating Area,Sq.Ft.	14.6
Weight,Lbs.	
Vessel Only	800
With Drive & Agitation	1380
Design Rating	
Internal Jacket	25 TO 150 PSIG/FV @ -20F/450F 125/125 PSIG @ -20F/450F

ELEVATION



- Constructed to ASME Code Section VIII, Division 1
- Fusion 900 Glass Lining
- Mechanical Seal: Single or Double with optional dry running capabilities
- Agitator: Standard Retreat Curve Impeller
- Baffle with optional Temperature Sensor
- Standard 150lb ANSI Nozzles with Split Flanges
- Jacket Connections 3000lb Couplings
- Footings: Standard Removable screw-in legs with optional side supports
- TEFLON Envelope Gaskets, CRT
- Custom Designs upon request
- Interchangeable with RT-24 and CTJ-24 Reactors