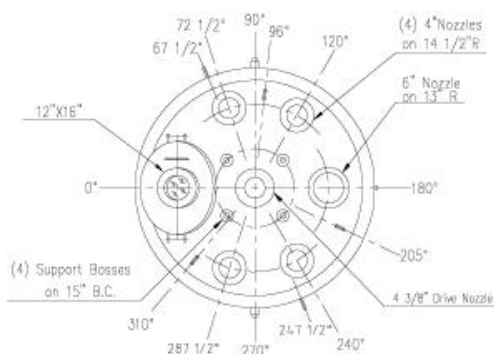


# RTJ-40-200

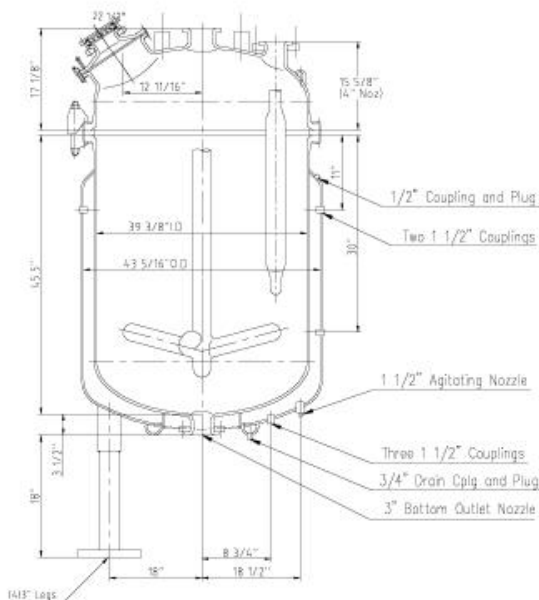
PLAN VIEW TOP



SPECIFICATIONS

MODEL	RTJ-40-200
Working Capacity,Gals	200
Gross Capacity,Gals	284
Jacket Capacity,Gals	45
Heating Area,Sq.Ft.	37
Weight,Lbs.	
Vessel Only	2750
With Drive & Agitation	4000
Design Rating	
Internal Jacket	100 PSIG/FV @ -20F/450F 100/100 PSIG @ -20F/450F

ELEVATION



- Constructed to ASME Code Section VIII, Division 1
- Fusion 900 Glass Lining
- Mechanical Seal: Single or Double with optional dry running capabilities
- Agitator: Standard Retreat Curve Impeller
- Baffle with optional Temperature Sensor
- Standard 150lb ANSI Nozzles with Split Flanges
- Jacket Connections 3000lb Couplings
- Footings: Standard Removable screw-in legs with optional side supports
- TEFLON Envelope Gaskets, CRT
- Custom Designs upon request
- Interchangeable with RT-40 and CTJ-40 Reactors