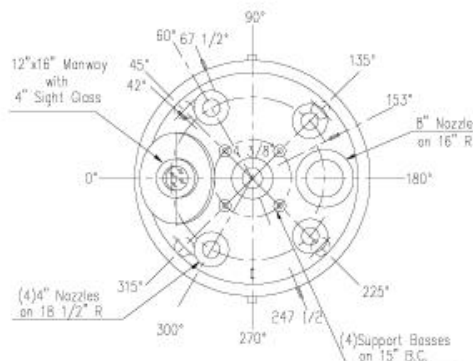


RTJ-48-300 and RTJ-48-500

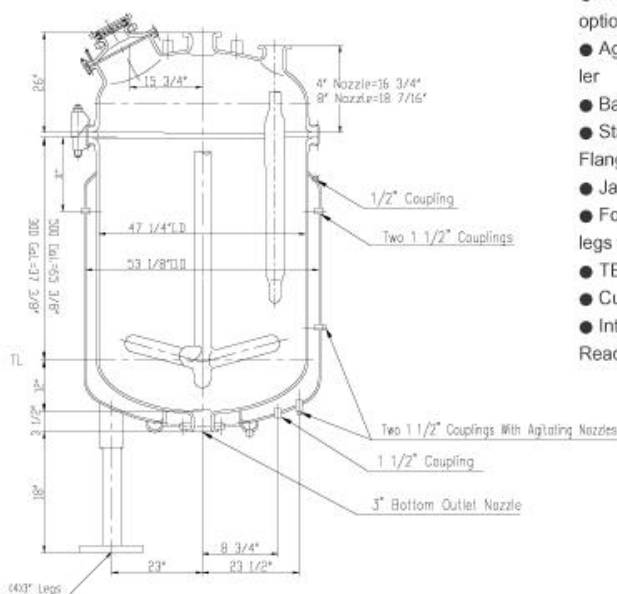
PLAN VIEW TOP



SPECIFICATIONS

MODEL	RTJ-48-300	RTJ-48-500
Working Capacity,Gals	300	500
Gross Capacity,Gals	352	552
Jacket Capacity,Gals	55	81
Heating Area,Sq.Ft.	50	79
Weight,Lbs.		
Vessel Only	3750	4950
With Drive & Agitation	5000	6150
Design Rating		
Internal	100 PSIG/FV @ -20F/450F	
Jacket	100/100 PSIG @ -20F/450F	

ELEVATION



- Constructed to ASME Code Section VIII, Division 1
- Fusion 900 Glass Lining
- Mechanical Seal: Single or Double with optional dry running capabilities
- Agitator: Standard Retreat Curve Impeller
- Baffle with optional Temperature Sensor
- Standard 150lb ANSI Nozzles with Split Flanges
- Jacket Connections 3000lb Couplings
- Footings: Standard Removable screw-in legs with optional side supports
- TEFLON Envelope Gaskets, CRT
- Custom Designs upon request
- Interchangeable with RT-48 and CTJ-48 Reactors