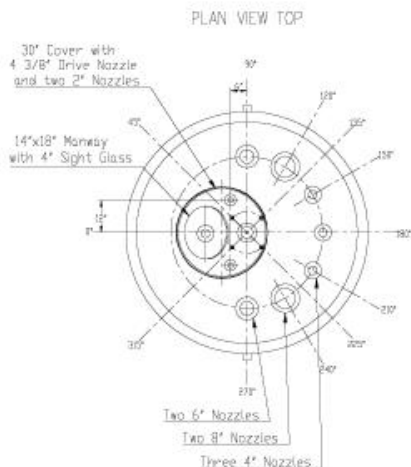


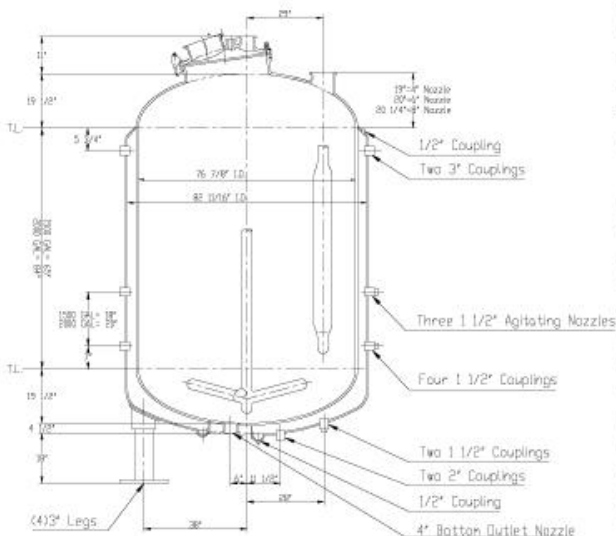
# WTJ-78-1500 and WTJ-78-2000



## SPECIFICATIONS

MODEL	WTJ-78-1500	WTJ-78-2000
Working Capacity,Gals	1500	2000
Gross Capacity,Gals	1883	2276
Jacket Capacity,Gals	255	301
Heating Area,Sq.Ft.	158	191
Weight,Lbs.		
Vessel Only	12000	14000
With Drive & Agitation	13400	15500
Design Rating		
Internal	100 PSIG/FV @ -20°F/450°F	
Jacket	90/90 PSIG @ -20°F/450°F	

## ELEVATION



- Constructed to ASME Code Section VIII, Division 1
- Fusion 900 Glass Lining
- Mechanical Seal: Single or Double with optional dry running capabilities
- Agitator: Standard Retreat Curve Impeller
- Baffle with optional Temperature Sensor
- Standard 150lb ANSI Nozzles with Split Flanges
- Jacket Connections 3000lb Couplings
- Footings: Standard Removable screw-in legs with optional side supports
- TEFLON Envelope Gaskets, CRT
- Custom Designs upon request
- Interchangeable with RA-78 and SA-78 Reactors